



60Hz VENTILATION SOLUTIONS



NUAIRE. FOR THE COMPLETE VENTILATION SOLUTION





WITH A RECORD OF QUALITY WHICH IS THE ENVY OF THE INDUSTRY...

...Nuaire is a British company with a long history of innovation in a field of ventilation and air movement solutions, and its products are known across the world for their superb quality and efficiency.

Founded in 1966, Nuaire has a long and much-admired heritage in developing and manufacturing ventilation products. The company's products are renowned worldwide, likewise their unrivalled customer service, and it is this combination which has ensured that Nuaire's products have been sold into more than 60 countries around the world, including in the Middle East, Europe, the USA and Asia.





INTERNALLY MOUNTED INLINE CENTRIFUGAL - SQRUBO

Low profile in-line centrifugal fan range supplied with unique one bolt mounting bracket for ease of installation. Units are rectangular, manufactured from galvanised steel with rigid circular spigots. The fan assembly incorporates a high efficiency backward curved impeller and an IP44 rated motor with integral 'Heatseeker' thermal overload protection.



KEY BENEFITS:

- **COMPACT MULTI-PURPOSE FAN** WITH GREAT PERFORMANCE, EASY MAINTENANCE AND MATCHED ANCILLARIES

- **LOW PROFILE** - REDUCED CASE DEPTH MAKES UNIT IDEAL FOR APPLICATIONS WHERE SPACE IS LIMITED

- **HIGH PERFORMANCE** - CENTRIFUGAL IMPELLERS OFFER HIGH PERFORMANCE COMBINED WITH EXTREMELY LOW NOISE LEVELS

- **QUIET SOLUTION** - FAN/SILENCER COMBINATIONS AVAILABLE TO MEET YOUR DESIGN REQUIREMENTS

- **PEACE OF MIND** - SQRUBO FANS ARE TESTED IN AN AMCA APPROVED LAB

- **UNIQUE 'QUICK' FIXING BRACKET** - REDUCES COST BY SAVING TIME SPENT ON SITE. ALSO INCORPORATES AN ANTI-VIBRATION SEAL - NO ADDITIONAL AV MOUNTS REQUIRED

- **REMOVABLE FAN ASSEMBLY** - QUICK AND EASY TO REMOVE ACCESS PANEL FOR EASY MAINTENANCE





CONSULTANTS SPECIFICATION



CASING

The units shall be manufactured heavy gauge Aluzinc corrosion resistant steel, acoustically lined with class 'O' flame retardant **acoustic foam** and fitted with rigid circular spigots. The general construction is to class A leakage.



MOTOR

High efficiency motors to IEC60034 as standard direct drive.
• 220v.



CERTIFICATION AND OPERATING TEMPERATURE

An ambient temperature of up to 50°C (40°C with speed control).



IMPELLER

Backward curved centrifugal plastic impeller.



INSTALLATION

For ease of installation the unit comes complete with a single fixing mounting bracket with integrated anti-vibration seals. The unit incorporates an access panel for removal of fan module and for general maintenance.



PERFORMANCE

The units are available in a variety of airflows up to 0.4m³/s.



NOISE

Units are designed for quiet operation, silencer ancillary units are available.



ANCILLARIES

- In line attenuator
- Filter cassette
- Heat exchanger
- Duct heater
- Supply/extract cowl
- Silencers



APPLICATIONS

- Hotels
- Offices
- Retail
- Care homes
- Apartments
- Flats



INTERNALLY MOUNTED INLINE CENTRIFUGAL - SQRURBO



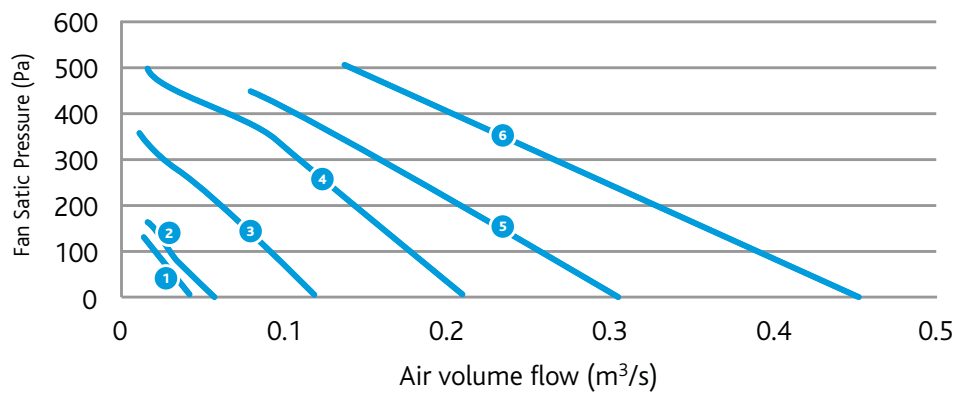
CODING S2-SIL125H

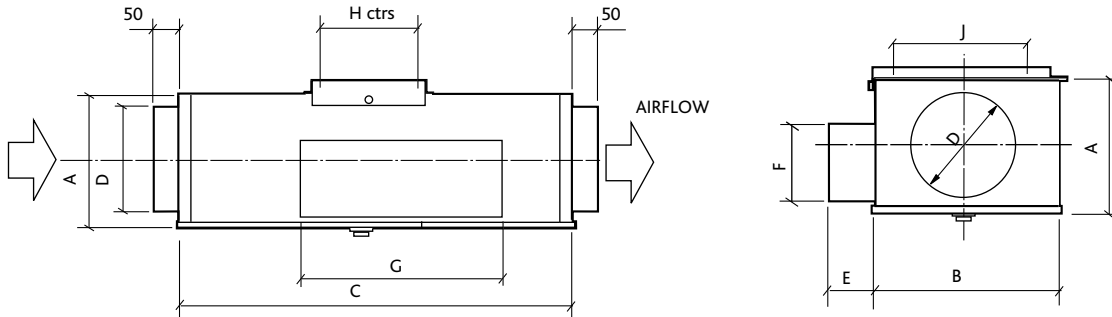
| | | | | | |
|---|---|---|-----|-----|---|
| S | 2 | - | SIL | 125 | H |
| | | | | | |
| 1 | 2 | 3 | 4 | 5 | |

SAMPLE CODING

1. Scurbo centrifugal range single fan
2. Fan size
3. Fan with silencer combination/
no SIL excludes matching silencers
4. Spigot diameter
5. 220v

SQRURBO 1-6



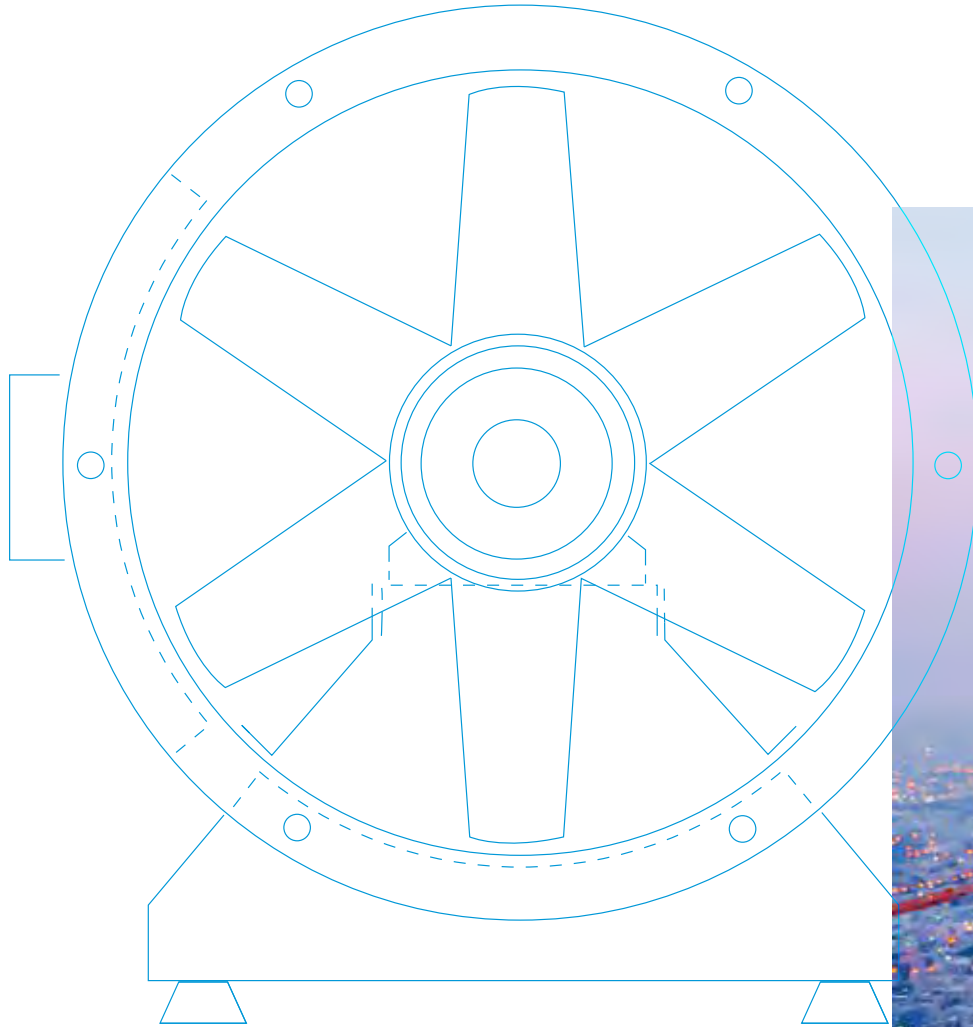


DIMENSIONS (MM)

| MODEL | A | B | C | D | E | F | G | H | SPIGOT |
|------------|-----|-----|-----|-----|----|-----|-----|-----|--------|
| S1-100H | 394 | 230 | 159 | 100 | 50 | 140 | 115 | 200 | 100 |
| S1-SIL100H | 968 | 230 | 159 | 100 | 50 | 140 | 115 | 200 | 100 |
| S2-125H | 394 | 230 | 159 | 125 | 50 | 140 | 115 | 200 | 125 |
| S2-SIL125H | 968 | 230 | 159 | 125 | 50 | 140 | 115 | 200 | 125 |
| S3-150H | 394 | 300 | 184 | 150 | 50 | 140 | 150 | 200 | 150 |
| S3-SIL150H | 968 | 300 | 184 | 150 | 50 | 140 | 150 | 200 | 150 |
| S4-200H | 394 | 350 | 234 | 200 | 50 | 140 | 170 | 200 | 200 |
| S4-SIL200H | 968 | 350 | 234 | 200 | 50 | 140 | 170 | 200 | 200 |
| S5-250H | 394 | 350 | 284 | 250 | 50 | 140 | 170 | 200 | 250 |
| S5-SIL250H | 968 | 350 | 284 | 250 | 50 | 140 | 170 | 200 | 250 |
| S6-315H | 394 | 400 | 349 | 315 | 50 | 140 | 200 | 200 | 315 |
| S6-SIL315H | 968 | 400 | 349 | 315 | 50 | 140 | 200 | 200 | 315 |

TECHNICAL SPECIFICATIONS

| CODE | PHASE | RPM SPEED | MOTOR CURRENTS | | SOUND POWER LEVELS RE 1 PWATT (Hz) INDUCT INLET | | | | | | | | dB(A) @3M |
|------------|-------|-----------|----------------|----------|---|-----|-----|-----|----|----|----|----|-----------|
| | | | FLC | SC (DOL) | 63 | 125 | 250 | 500 | 1K | 2K | 4K | 8K | |
| S1-100H | 1 | 2724 | 0.32 | 0.47 | 74 | 69 | 63 | 64 | 53 | 48 | 40 | 34 | 30 |
| S1-SIL100H | 1 | 2724 | 0.32 | 0.47 | 60 | 55 | 51 | 51 | 26 | 21 | 19 | 30 | 30 |
| S2-125H | 1 | 2724 | 0.32 | 0.47 | 74 | 69 | 63 | 64 | 53 | 48 | 40 | 34 | 30 |
| S2-SIL125H | 1 | 2724 | 0.32 | 0.47 | 69 | 64 | 54 | 53 | 26 | 30 | 26 | 28 | 30 |
| S3-150H | 1 | 2500 | 0.26 | 0.46 | 74 | 69 | 66 | 69 | 60 | 54 | 49 | 41 | 34 |
| S3-SIL150H | 1 | 2500 | 0.26 | 0.46 | 73 | 68 | 60 | 52 | 25 | 17 | 36 | 37 | 34 |
| S4-200H | 1 | 2544 | 0.72 | 1.49 | 79 | 74 | 79 | 77 | 69 | 64 | 60 | 53 | 42 |
| S4-SIL200H | 1 | 2544 | 0.72 | 1.49 | 76 | 71 | 70 | 65 | 43 | 46 | 54 | 47 | 42 |
| S5-250H | 1 | 2600 | 0.85 | 1.54 | 80 | 75 | 78 | 79 | 71 | 69 | 65 | 61 | 43 |
| S5-SIL250H | 1 | 2600 | 0.85 | 1.54 | 74 | 69 | 70 | 63 | 45 | 55 | 57 | 53 | 43 |
| S6-315H | 1 | 2600 | 0.85 | 1.54 | 81 | 76 | 72 | 73 | 67 | 67 | 65 | 61 | 43 |
| S6-SIL315H | 1 | 2600 | 0.85 | 1.54 | 72 | 67 | 70 | 66 | 49 | 56 | 57 | 52 | 43 |



NUAIRE. FOR THE COMPLETE VENTILATION SOLUTION

T +44(0)29 2085 8484 E INTERNATIONAL@NUAIRE.CO.UK W NUAIRE.CO.UK [@NUAIREGROUP](https://twitter.com/NUAIREGROUP)

